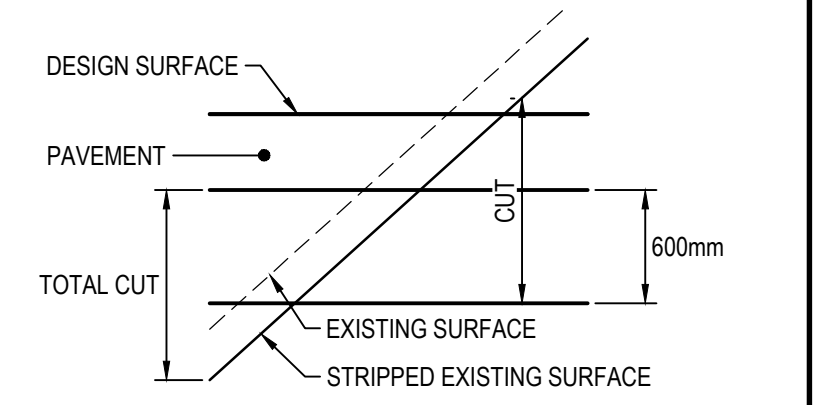
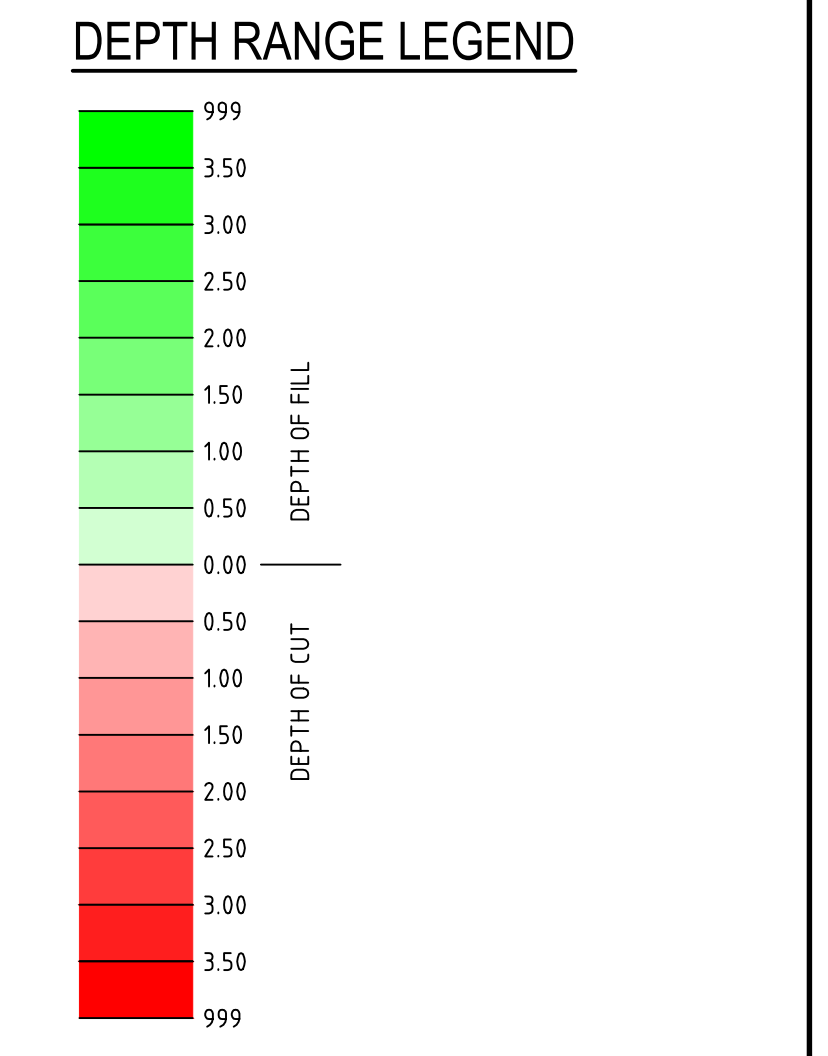
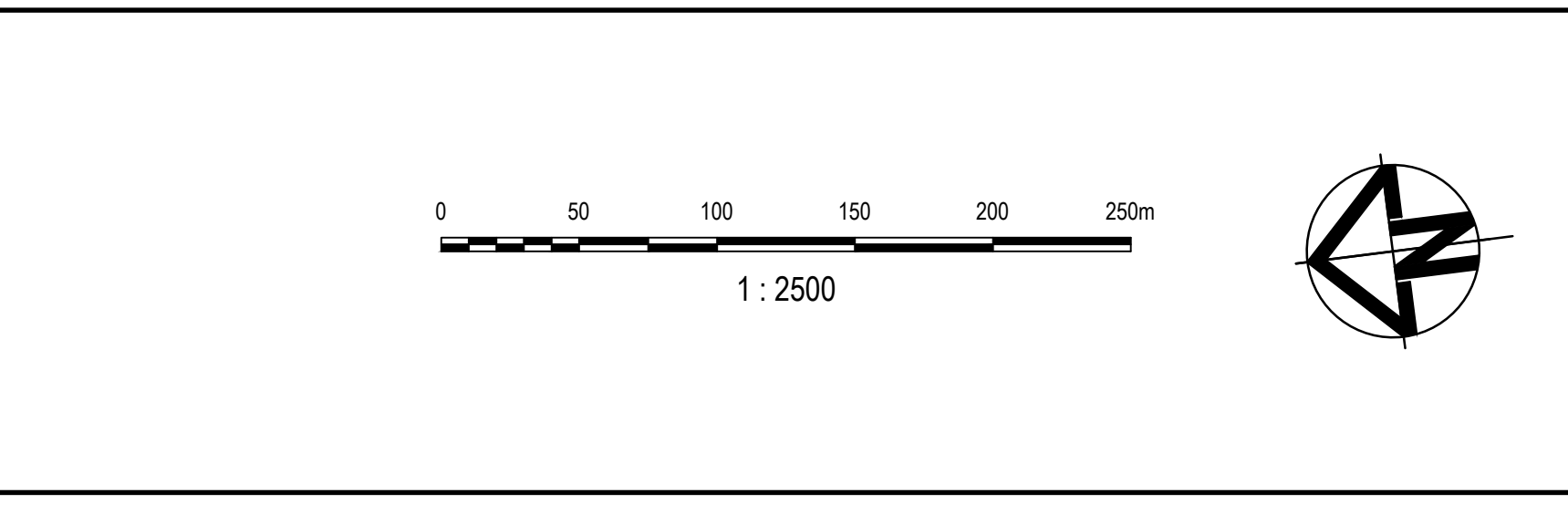


- LEGEND**
- - - MPW STAGE 2 CONSTRUCTION AREA
 - - - 14.7 PROPOSED CONTOURS
 - SUBJECT TO MPE STAGE 1 PROPOSAL (SSD 14 - 6766)
- NOTES**
1. STRIPPED EXISTING SURFACE CREATED BY STRIPPING OFF THE TOPSOIL FROM THE EXISTING SURFACE IN ACCORDANCE WITH GOLDERS TOPSOIL DEPTH CONTOURS.

- ASSUMPTIONS AND NOTES**
1. HATCHING SHOWN REPRESENTS THE DEPTH RANGE BETWEEN THE STRIPPED EXISTING SURFACE AND THE UNDERSIDE OF PAVEMENT (REFER TYPICAL PAVEMENT SECTION).
 2. NO ALLOWANCE HAS BEEN MADE FOR:
 - BULKING OR COMPACTION FACTORS
 - TRENCHING FOR UTILITIES (INC. STORMWATER, WATER, SEWER, ELECTRICAL AND COMMUNICATIONS).
 3. VOLUMES HAVE BEEN PREPARED BASED ON CONCEPT GRADING AND ARE SUBJECT TO ARCHITECT'S DRAWINGS FOR FINISHED LEVELS.
 4. LEVELS SHOWN REPRESENT THE BULK EARTHWORKS SURFACE LEVELS (+/- 500mm).
 5. THE CUT/FILL VOLUMES DO NOT INCLUDE THE ACTUAL PAVEMENT MATERIALS REQUIRED. THE FOLLOWING PAVEMENT MATERIAL THICKNESS HAVE BEEN ASSUMED AS:
 - ANZAC ROAD INTERSECTION:
 - ROAD PAVEMENT - 659mm
 - INTERNAL ROAD:
 - ROAD PAVEMENT - 659mm
 - IMT FACILITY:
 - ROAD/RAIL PAVEMENT - 659mm
 - NORTHERN WAREHOUSE AREA:
 - PAVEMENT - 525mm
 - SOUTHERN EARTHWORKS AREA:
 - PAVEMENT AREA - 150mm



Issue	Description	Date
01	SUPERSEDES DRAWING C-MIC2-SSD-111	26/10/2018



Client

SIMTA SYDNEY INTERMODAL TERMINAL ALLIANCE

TACTICAL GROUP

Status: **PRELIMINARY ONLY**
NOT TO BE USED FOR CONSTRUCTION

Scales	AS SHOWN	Current Issue Signatures
Original Size	A1	Designed L.CORSCADDEN
Height Datum	AHD	Checked M.GOSTELOW
Grid	MGA	Approved W.OWERS

File name: MPW2-ARC-CV-DWG-0111-BulkEarthworksCutAndFillPlanSheet1.dwg

Project: **MOOREBANK PRECINCT WEST - STAGE 2**

Title: **BULK EARTHWORKS CUT AND FILL PLAN SHEET 1**

ARCADIS

Arcadis Australia Pacific Pty Limited
Level 16, 580 George St
SYDNEY NSW 2000
ABN 76 104 485 289

Tel No: +61 2 8907 9000
Fax No: +61 2 8907 9001
arcadis.com

Project No: **AA009335**

Drawing No: **MPW2-ARC-CV-DWG-0111- 01**

Issue